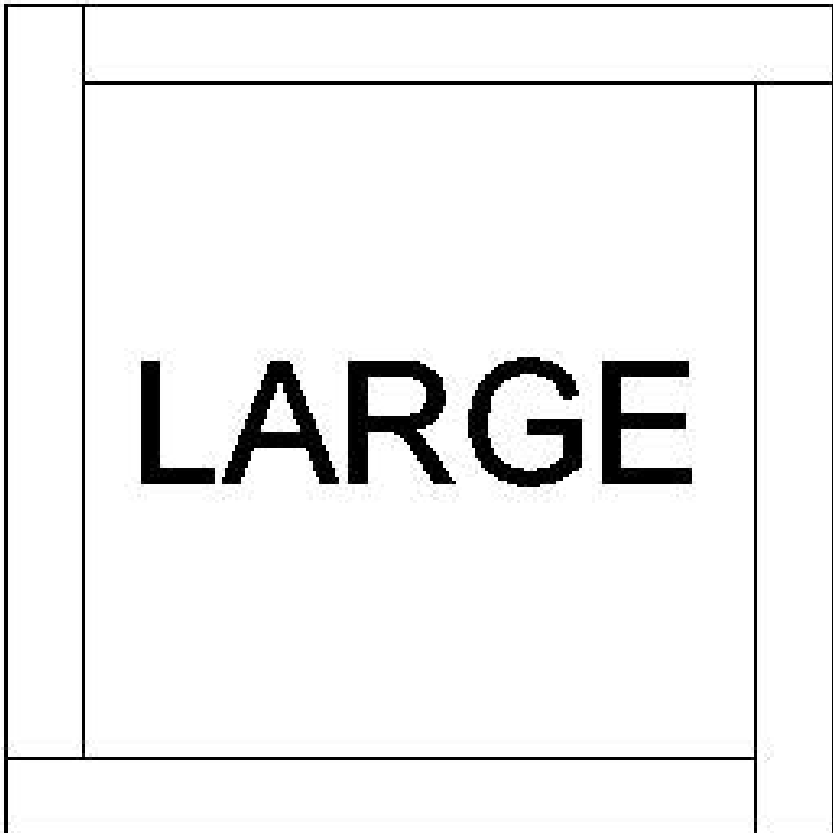
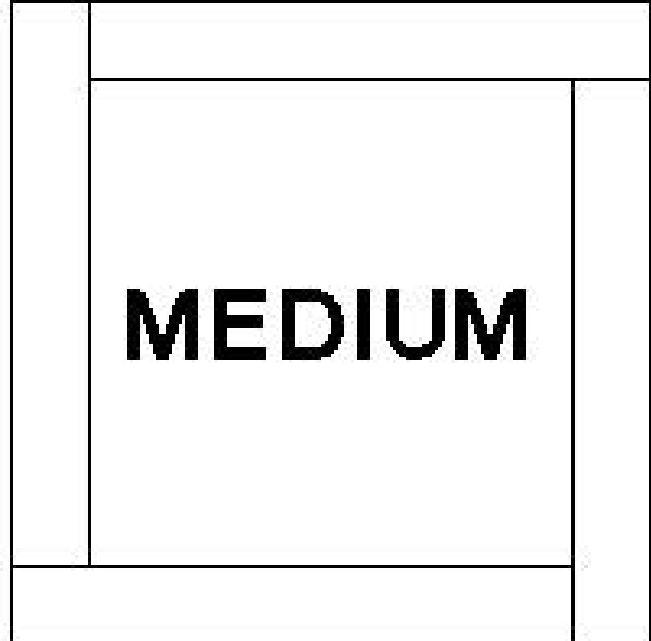
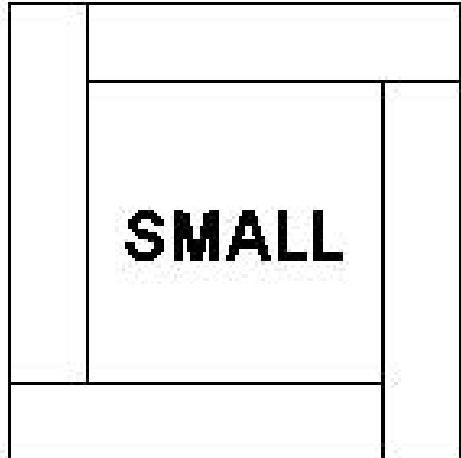


MANCINO BALL POOL INSTRUCTIONS



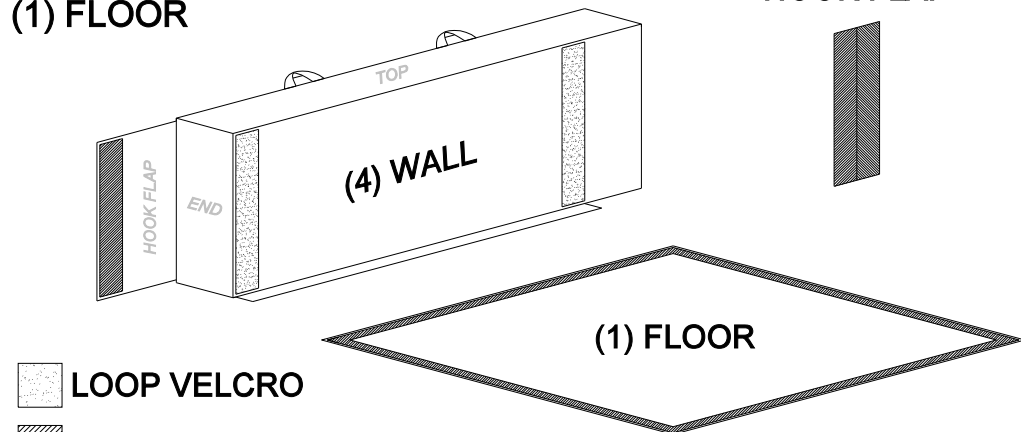
WHATS INCLUDED:

(4) WALLS

(4) INSIDE VERTICAL HOOK FLAPS

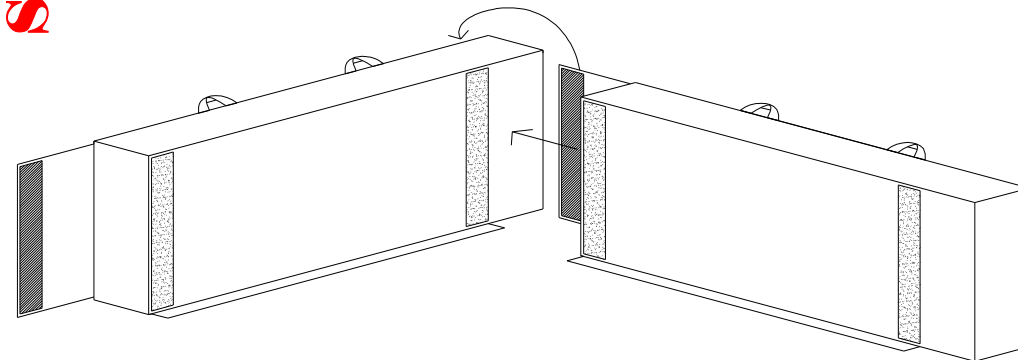
(1) FLOOR

(4) INSIDE VERTICAL HOOK FLAP



START

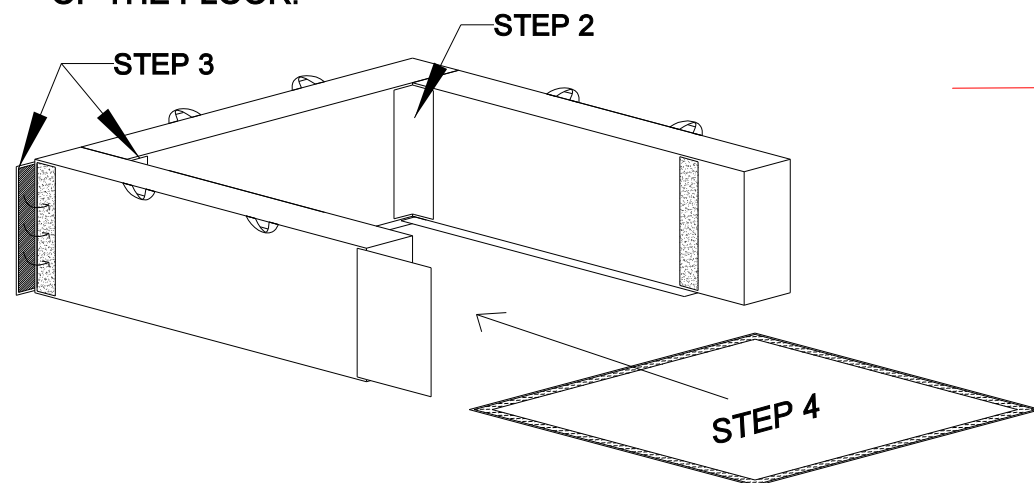
STEP 1) BUTT THE FLAP END OF ONE OF THE WALLS TO THE INSIDE FACE (YELLOW SIDE) IN BETWEEN THE EDGE AND LOOP VELCRO. SEE DRAWING BELOW. THE FLAP THAT IS SEWN INTO THE END OF THE WALL SHOULD WRAP AROUND THE END OF THE OTHER WALL TO THE OUTSIDE FACE (BLUE SIDE) AND ATTACH TO THE LOOP VELCRO. HANDLES SHOULD BE ON THE OUTSIDE OF ALL WALLS IF ORIENTED CORRECTLY.



STEP 2) ATTACH (1) "INSIDE VERTICAL FLAP" TO THE LOOP VELCRO ON THE INSIDE FACE (YELLOW SIDE) OF THE FIRST TWO WALLS.

STEP 3) REPEAT STEP 1 & 2 WITH THE NEXT WALL.

STEP 4) BEFORE PLACING THE LAST WALL IN, LAY THE FLOOR DOWN INSIDE THE THREE WALLS AND ATTACH THE HOOK FLAPS AT THE BOTTOM OF EACH WALL TO THE TOP OF THE FLOOR.



STEP 5) WITH THE FOURTH AND FINAL WALL REPEAT STEPS 1 & 2, AS WELL AS ATTACHING THE HOOK FLAP AT THE BOTTOM OF THE WALL TO THE FLOOR.

MAKE SURE ALL VELCRO FLAPS ARE SECURELY FASTENED AND ENJOY!

